

 panoramic™



THE RIGHT CHOICE FOR YOUR PRACTICE

Panoramic Envision™ P & Envision™ C1

EXCELLENT IMAGE QUALITY

Intuitive and fast setting of the exposure program with just 2 clicks.

EXCELLENT IMAGE QUALITY

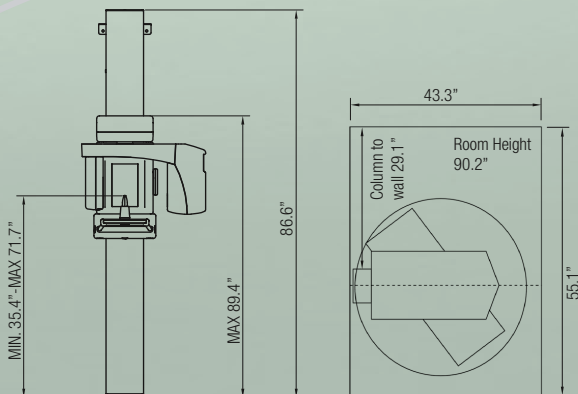
Latest direct conversion technology for high resolution, extraordinary sharpness, clarity and lower dose.

CONTINUOUS AUTOFOCUS

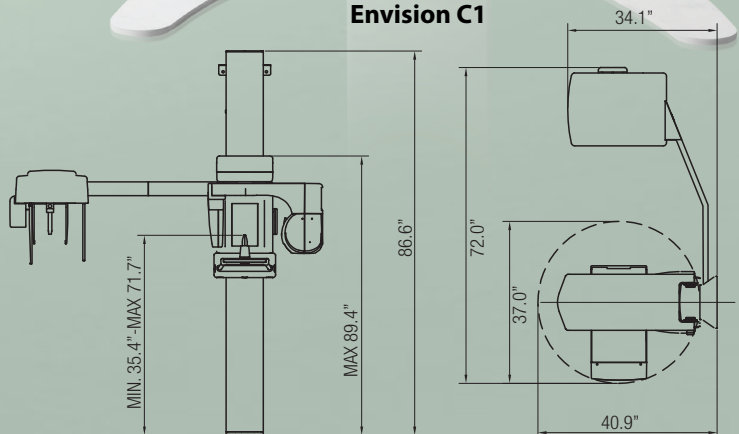
No more blurred images and additional exposures – the region of interest is always in focus.



Space requirements: Envision P



Envision C1

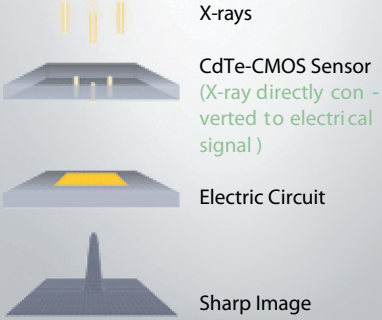


Panoramic Envision™ P & Envision™ C1

PREMIUM TECHNOLOGY FOR SUPERB QUALITY

Panoramic Envision™ is an advanced digital panoramic system with the latest premium CdTe-CMOS sensor technology. It combines extraordinary image quality, sharpness and contrast with advanced diagnostic tools. Due to the special sensor technology, and continuous autofocus function, Panoramic Envision™ always delivers properly focused images, in both Pan and Pan/Ceph versions.

CdTe-CMOS Sensor



X-rays

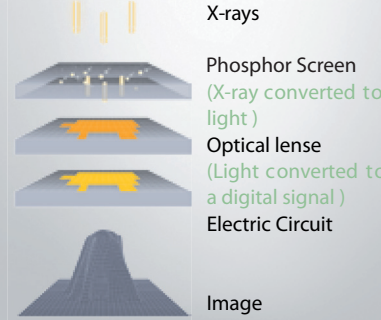
CdTe-CMOS Sensor
(X-ray directly converted to electrical signal)

Electric Circuit

Sharp Image

Premium Envision™ technology
Direct conversion of X-rays to electrical signals increases the image clarity and contrast while reducing the readout time and dose.

CCD/CMOS Sensor



X-rays

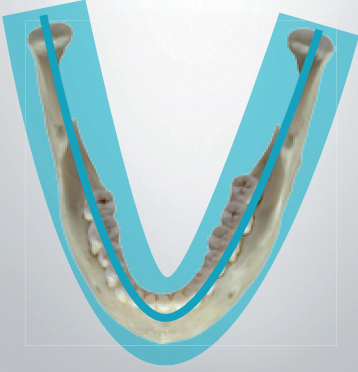
Phosphor Screen
(X-ray converted to light)

Optical lens
(Light converted to a digital signal)

Electric Circuit


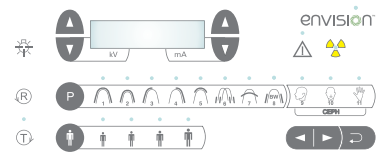
Image

Traditional technology
Traditional acquisition uses conversion of X-rays to light before detection, causing some information loss, blurring and readout delays.

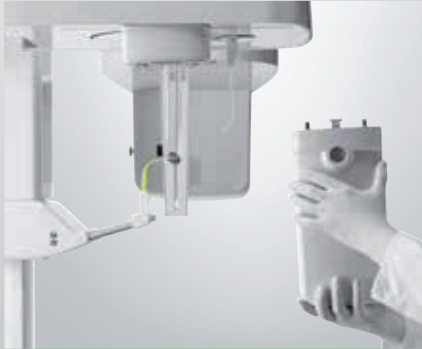


Wide focal zone up to 30 mm
Due to patented algorithms, the focal zone is up to 30 mm wide, instead of traditional 4 mm. Your region of interest will always be in focus.

Latest sensor and autofocus technology for the best image quality

Simple Operation
Simply select program (8 Pan or 3 Ceph) and patient size (4 options). All exposure settings will be set automatically. Presets can also be adjusted manually.

Single sensor for both applications
Get the best quality panoramic and cephalometric images. Just click the sensor to the position where you need it.

Panoramic Envision™ P & Envision™ C1

Sensor Technology CdTe (Cadmium Telluride) CMOS

Image Resolution >5 lp/mm

Dynamic Range Pan / Ceph 16 bits / 65,536 gray shades

Exposure Time Pan / Ceph 2.2 - 14.2 sec / 8 to 10 sec

PC connection PCI express

Focal Spot 0.5 (IEC 60336)

Tube Voltage 61 – 85 kV

Tube Current 4 – 10 mA

Weight Pan / Ceph 216 lbs / 265 lbs

Pan Programs (1) Adult panoramic, (2) Child panoramic, (3) Left-Side Dentition, (4) Right-Side Dentition, (5) Anterior Dentition, (6) TMJ in normal occlusion and fully open, (7) Frontal view of Maxillary Sinus, (8) Extraoral Bitewing

Ceph Programs Antero-Posterior (AP), Latero-Lateral (LL), Carpus, Sub-Mento Vertex (SMV) in AP mode

Patient sizes (1) Large, (2) Medium, (3) Small, (4) Child

